

HARVEY NICHOLS

Est.1831

KIDS BREAKFAST MENU

Served from 8am until 11.30am

BOILED EGG Toast soldiers	5
FRESH FRUIT SALAD Greek yoghurt	5
SCRAMBLED EGGS Toast	5
HOMEMADE GRANOLA Whole milk	5

Each menu option is served with one complimentary juice or milk

Available for 12 years & under

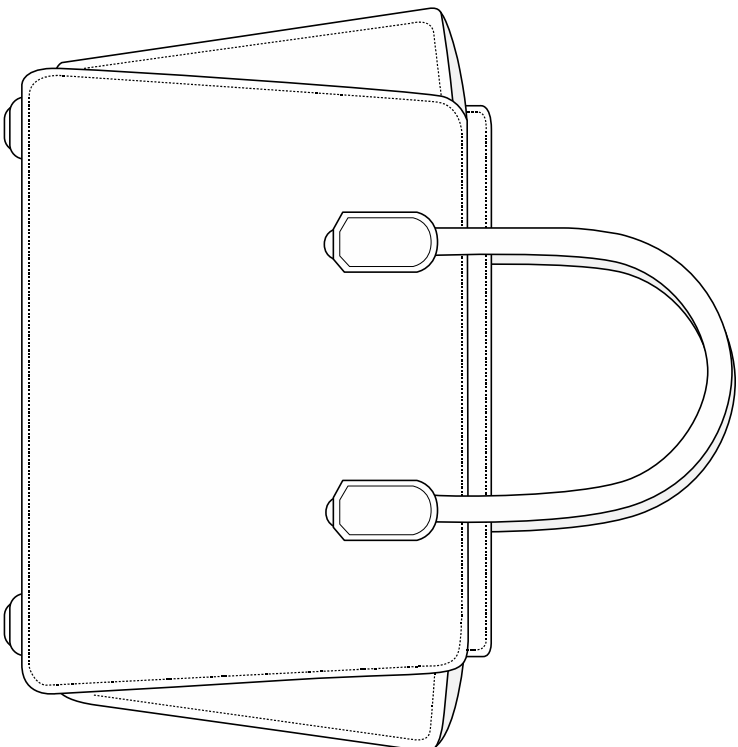
(v) Suitable for vegetarians (ve) suitable for vegans. Should you have any food allergies or special dietary requirements please inform your waiter.

Please note that allergens are used on our premises.

All prices inclusive of V.A.T. A discretionary service charge of 12.5% will be added to your bill.

COLOUR ME IN!

Design your own handbag with wild colours, prints and patterns.
Will you become a famous fashion designer?

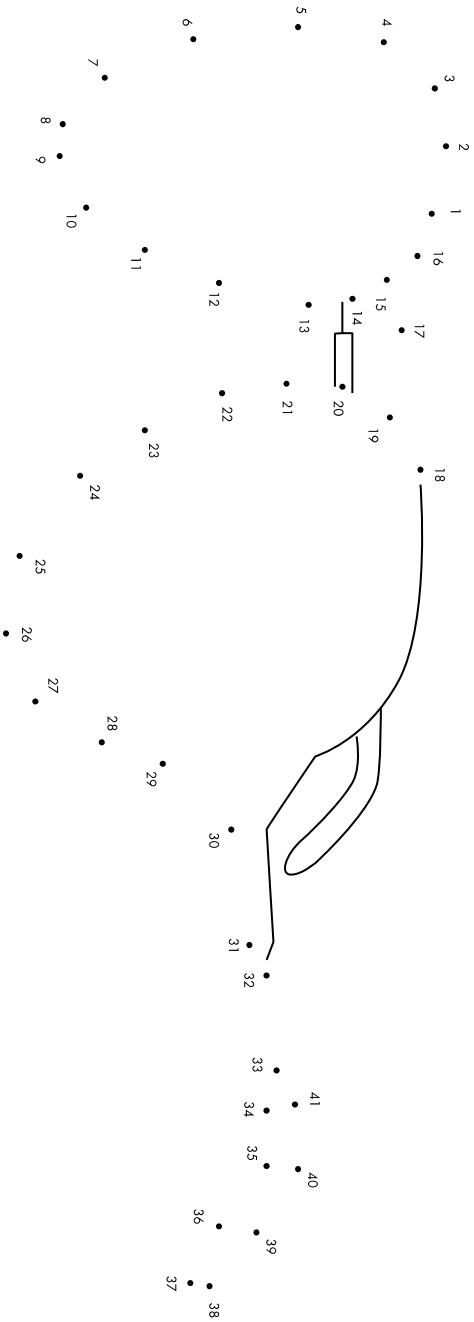


HARVEY NICHOLS

Est. 1831

CONNECT THE DOTS

Starting with number 1, join all the dots in the right order to reveal a picture.
Can you guess what it is before you finish?



HARVEY NICHOLS

Est. 1831

CONNECT THE DOTS

Starting with number 1, join all the dots in the right order to reveal a picture.
Can you guess what it is before you finish?

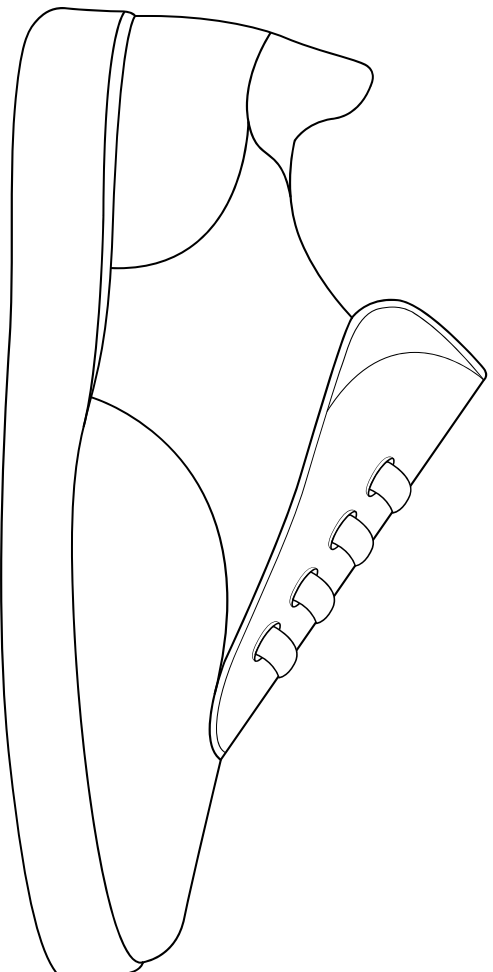


HARVEY NICHOLS

Est. 1831

COLOUR ME IN!

Design your own trainer with wild colours, prints and patterns.
Will you become a famous fashion designer?



HARVEY NICHOLS

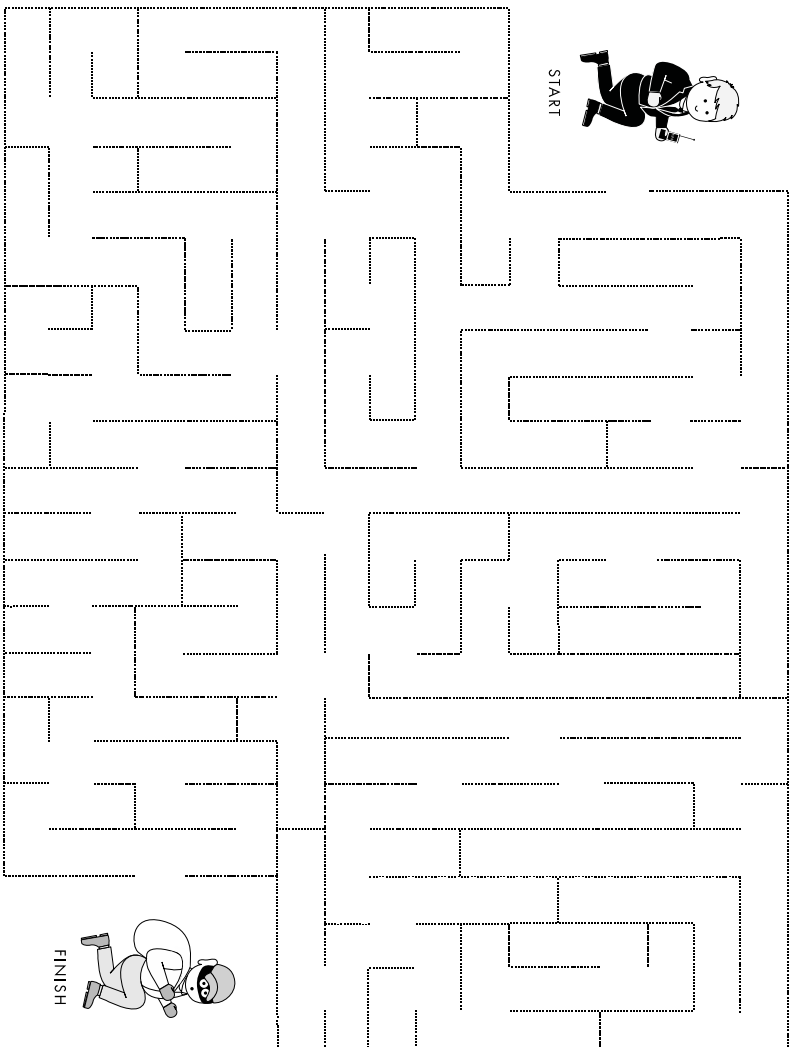
Est. 1831

CATCH THE THIEF

Help our security guard catch the thief by finding your way through the maze, before he escapes!



START



FINISH

HARVEY NICHOLS

Est. 1831