

HARVEY NICHOLS

Est.1831

KIDS MENU

Available for 12 years & under

MAINS

Linguine, tomato sauce (v)	9
Chicken goujons, cucumber sticks, hand cut chips	10
Mini beef burger, hand cut chips	10

DESSERTS

Chocolate & pecan brownie, vanilla ice cream	5
Mini trio of ice cream cones, vanilla, chocolate, strawberry	5
Baked milk chocolate cookie, vanilla ice cream	5
Selection of ice cream and sorbet	5

Each menu option is served with one complimentary juice or milk

(v) Suitable for vegetarians (ve) suitable for vegans.

Should you have any food allergies or special dietary requirements please inform your waiter.

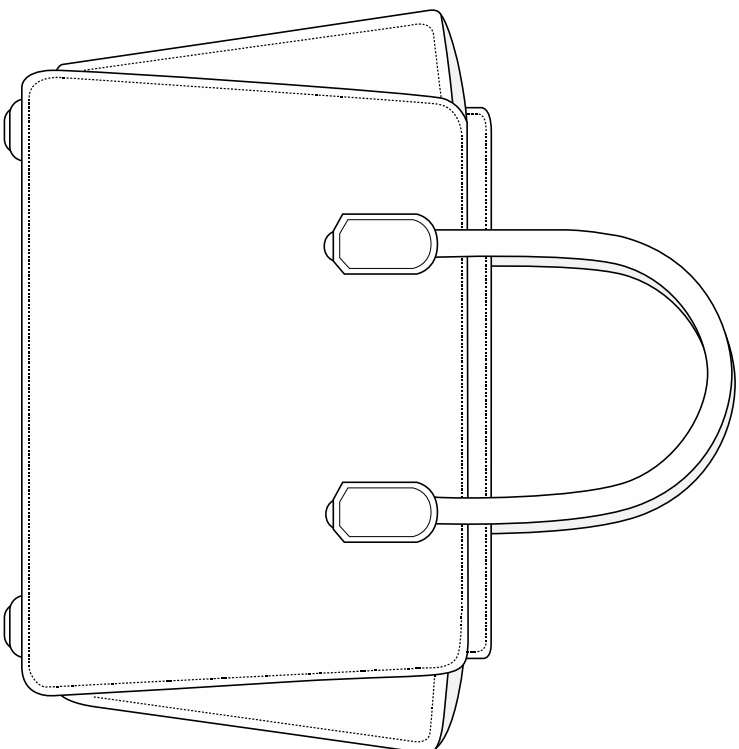
Please note that allergens are used on our premises.

All prices inclusive of V.A.T. A discretionary service charge of 12.5% will be added to your bill.

Please note that all beverages may contain sulphites.

COLOUR ME IN!

Design your own handbag with wild colours, prints and patterns.
Will you become a famous fashion designer?

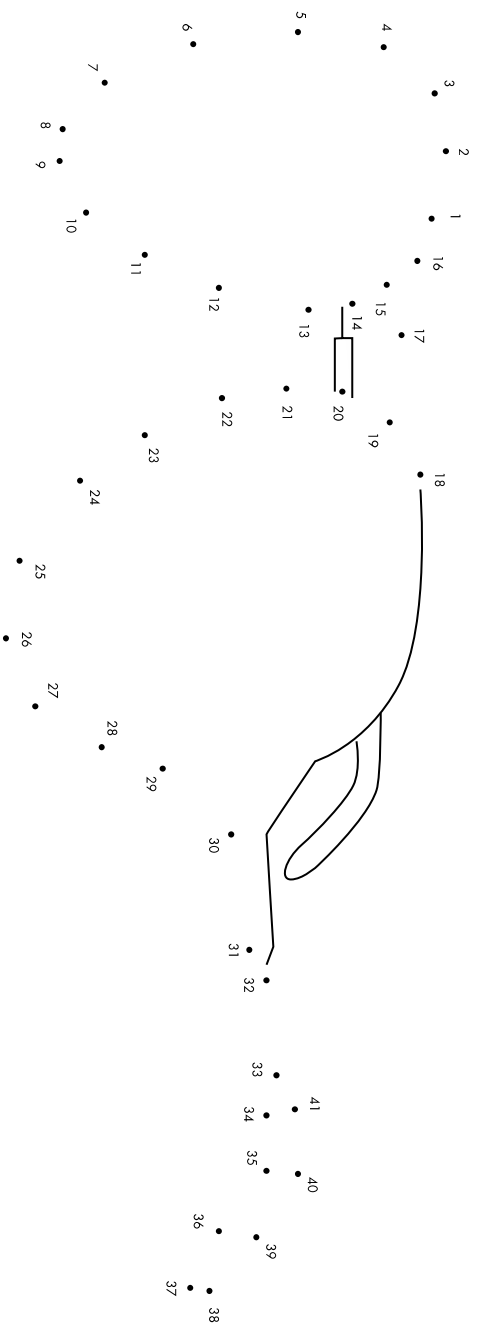


HARVEY NICHOLS

Est. 1831

CONNECT THE DOTS

Starting with number 1, join all the dots in the right order to reveal a picture.
Can you guess what it is before you finish?



HARVEY NICHOLS

Est. 1831

CONNECT THE DOTS

Starting with number 1, join all the dots in the right order to reveal a picture.
Can you guess what it is before you finish?

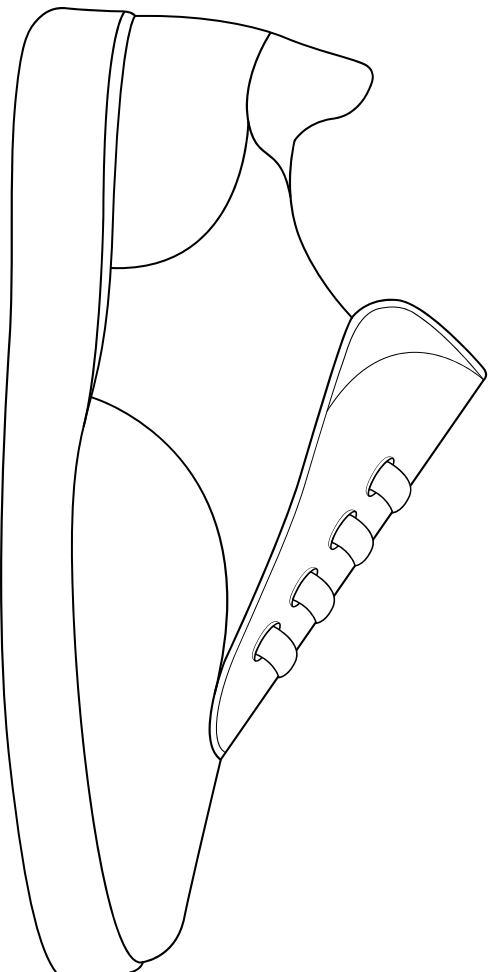


HARVEY NICHOLS

Est. 1831

COLOUR ME IN!

Design your own trainer with wild colours, prints and patterns.
Will you become a famous fashion designer?



HARVEY NICHOLS

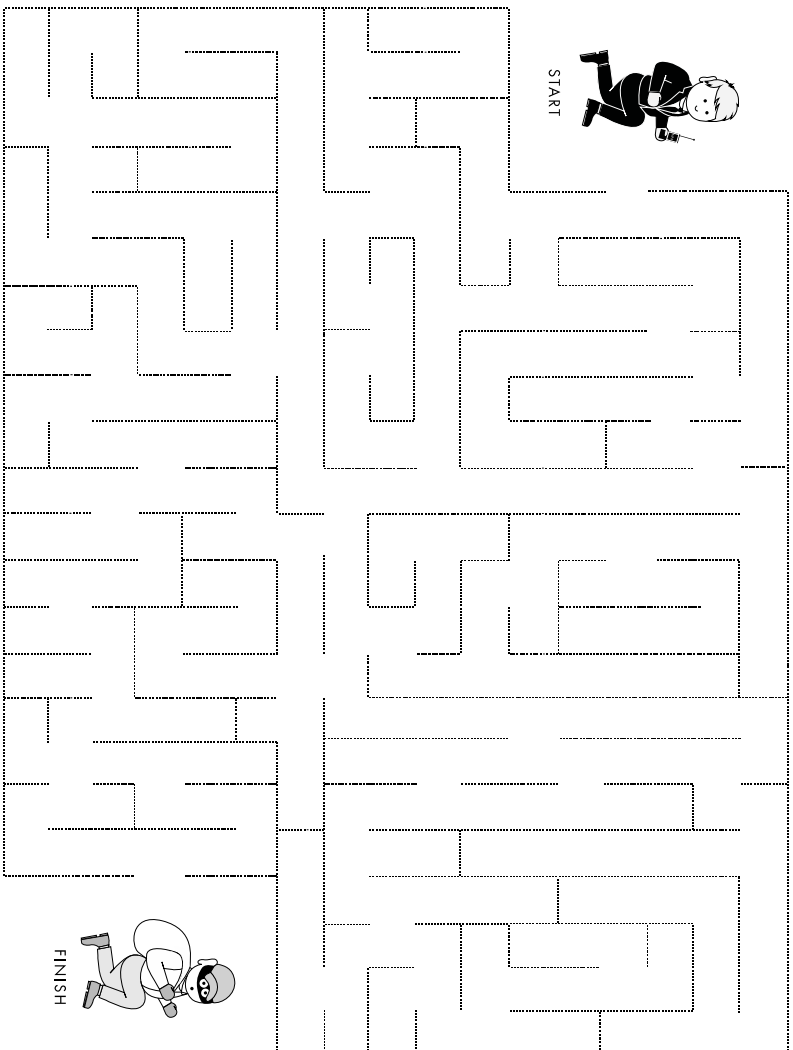
Est. 1831

CATCH THE THIEF

Help our security guard catch the thief by finding your way through the maze, before he escapes!



START



FINISH

HARVEY NICHOLS

Est. 1831